

- 1
- 2
- 3
- 4
- 5
- 6
- 7
- 8
- 9
- 10
- 11
- 12
- 13
- 14
- 15
- 16
- 17
- 18
- 19

VERSIONS

- Version **V**: with anti-twist protection
- Version **F**: with anti-twist protection, with spring
- Version **S**: reinforced

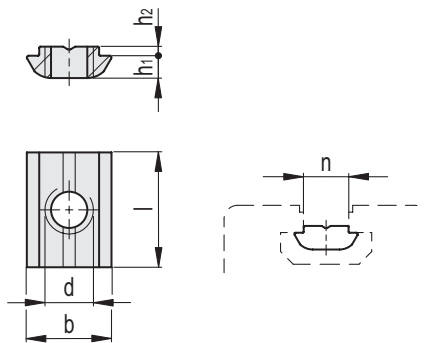
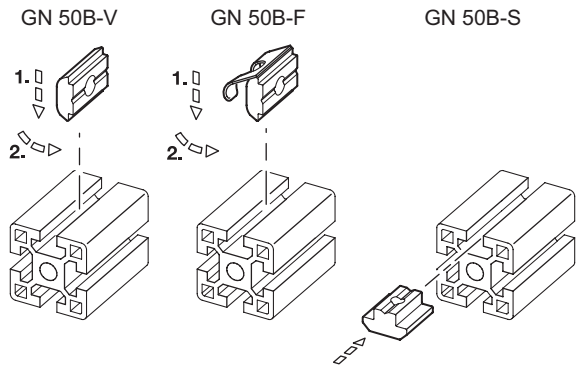
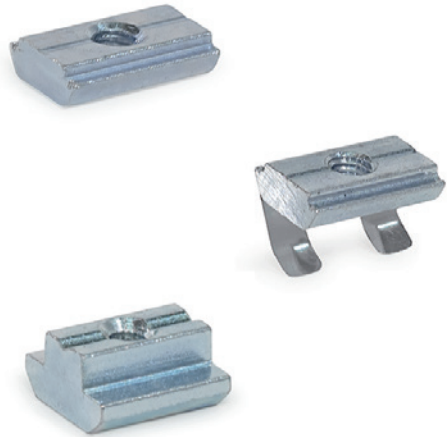
Zinc-plated steel, blue passivated **SZ**

FEATURES AND APPLICATIONS

T-nuts GN 50B fasten attachments and accessories in the slot of aluminum profiles.

The spring of type F secures the T-nut against unwanted slipping in the groove, making installation easier.

T-nuts of types V and F can be swiveled into the slot at any position.



Conversion Table
1 mm = 0.039 inch

b	
mm	inch
9.6	0.37
11.6	0.45
14	0.55

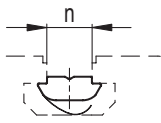
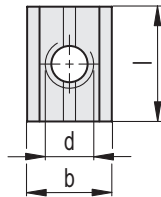
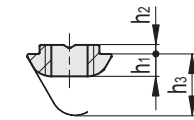
GN 50B-V

Code	Description	b	n	d	h1	h2	Length l	⚖
GN.72711	GN 50B-8M4-V-SZ	11.6	8	M4	3.8	1	16	5
GN.72717	GN 50B-8M5-V-SZ	11.6	8	M5	3.8	1	16	4
GN.72723	GN 50B-8M6-V-SZ	11.6	8	M6	3.8	1	16	3
GN.72729	GN 50B-8M8-V-SZ	11.6	8	M8	3.8	1	16	2
GN.72735	GN 50B-10M4-V-SZ	14	10	M4	3.8	1.5	20	9
GN.72741	GN 50B-10M5-V-SZ	14	10	M5	3.8	1.5	20	8
GN.72747	GN 50B-10M6-V-SZ	14	10	M6	3.8	1.5	20	7
GN.72751	GN 50B-10M8-V-SZ	14	10	M8	3.8	1.5	20	6

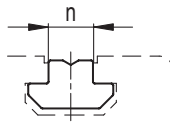
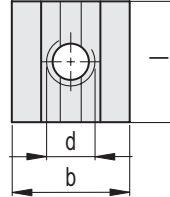
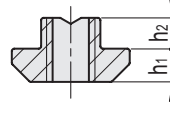
Standard machine parts



GN 50B-F



GN 50B-S



Conversion Table	
1 mm = 0.039 inch	
b	
mm	inch
9.6	0.37
11.6	0.45
14	0.55

GN 50B-F

Code	Description	b	n	d	h1	h2	h3	Length	⚖
GN.72707	GN 50B-8M4-F-SZ	11.6	8	M4	3.8	1	8	16	5
GN.72713	GN 50B-8M5-F-SZ	11.6	8	M5	3.8	1	8	16	4
GN.72719	GN 50B-8M6-F-SZ	11.6	8	M6	3.8	1	8	16	3
GN.72725	GN 50B-8M8-F-SZ	11.6	8	M8	3.8	1	8	16	2
GN.72731	GN 50B-10M4-F-SZ	14	10	M4	3.8	1.5	12	20	10
GN.72737	GN 50B-10M5-F-SZ	14	10	M5	3.8	1.5	12	20	9
GN.72743	GN 50B-10M6-F-SZ	14	10	M6	3.8	1.5	12	20	8
GN.72749	GN 50B-10M8-F-SZ	14	10	M8	3.8	1.5	12	20	7

GN 50B-S

Code	Description	b	n	d	h1	h2	Length	⚖
GN.72701	GN 50B-6M4-S-SZ	9.6	6	M4	3	3	10	3
GN.72703	GN 50B-6M5-S-SZ	9.6	6	M5	3	3	10	2
GN.72705	GN 50B-6M6-S-SZ	9.6	6	M6	3	3	10	1
GN.72709	GN 50B-8M4-S-SZ	11.6	8	M4	4	4	16	9
GN.72715	GN 50B-8M5-S-SZ	11.6	8	M5	4	4	16	8
GN.72721	GN 50B-8M6-S-SZ	11.6	8	M6	4	4	16	7
GN.72727	GN 50B-8M8-S-SZ	11.6	8	M8	4	4	16	6
GN.72733	GN 50B-10M4-S-SZ	14	10	M4	5.5	5.5	20	22
GN.72739	GN 50B-10M5-S-SZ	14	10	M5	5.5	5.5	20	21
GN.72745	GN 50B-10M6-S-SZ	14	10	M6	5.5	5.5	20	20
GN.72750	GN 50B-10M8-S-SZ	14	10	M8	5.5	5.5	20	19